

Part number
CQV 24



Brief description:

enlarged hoods with 4 pegs for 2 levers, size "104.27", top entry, Pg36, metal version, IP66

Product description	
Version	metal version
Series	enlarged hoods with 4 pegs for 2 levers
Product type	with 4 pegs
Variant	top entry
Family	CLASS enclosures
Size	size "104.27"
Technical data	
Material	metal
IP degree of protection	IP66 (and IP69K DIN 40050 - 9)
Cable entry	Pg36
Further technical details	
Weight	267,00 g

Approvals / Standards	
Conformity	CQC, CE
General ordering information	
EAN13 code	8015747037396
Tariff number	85369095
Packaging Information	
Packaging length	140,00 mm
Packaging height	120,00 mm
Packaging width	260,00 mm
Packaging weight	1,33 kg
Packaging volume	4,37 dm ³
Packaging description	Carton box
Packaging quantity	5 Pcs
Packaging EAN code	8015747037402
Sub-packaging weight	0,27 kg
Sub-packaging description	Plastic packaging
Sub-packaging quantity	1 Pcs
Sub-packaging EAN barcode	8015747037419

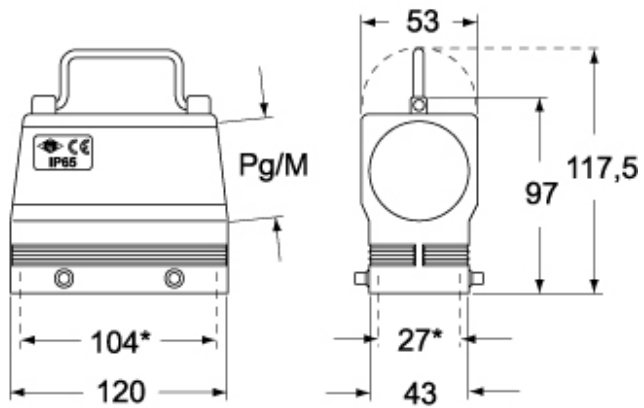
Part number

CQV 24



Catalogue drawings

CQO - MQO



CQV - MQV

